

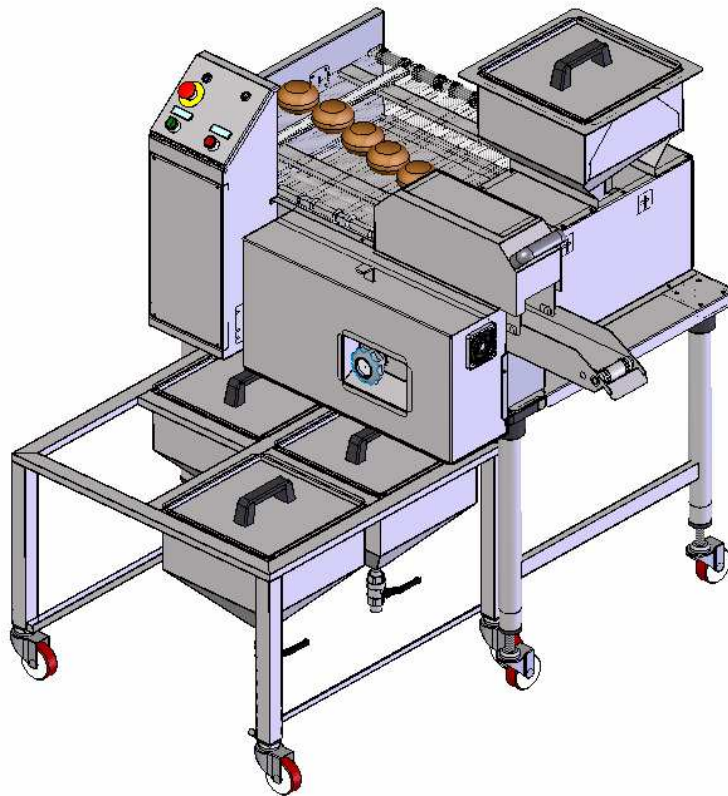


**Linee Automatiche
di Frittura e
Bollitura**
dal 1981

più di 30 anni d'esperienza



SINGLE INDUSTRIAL FILLING



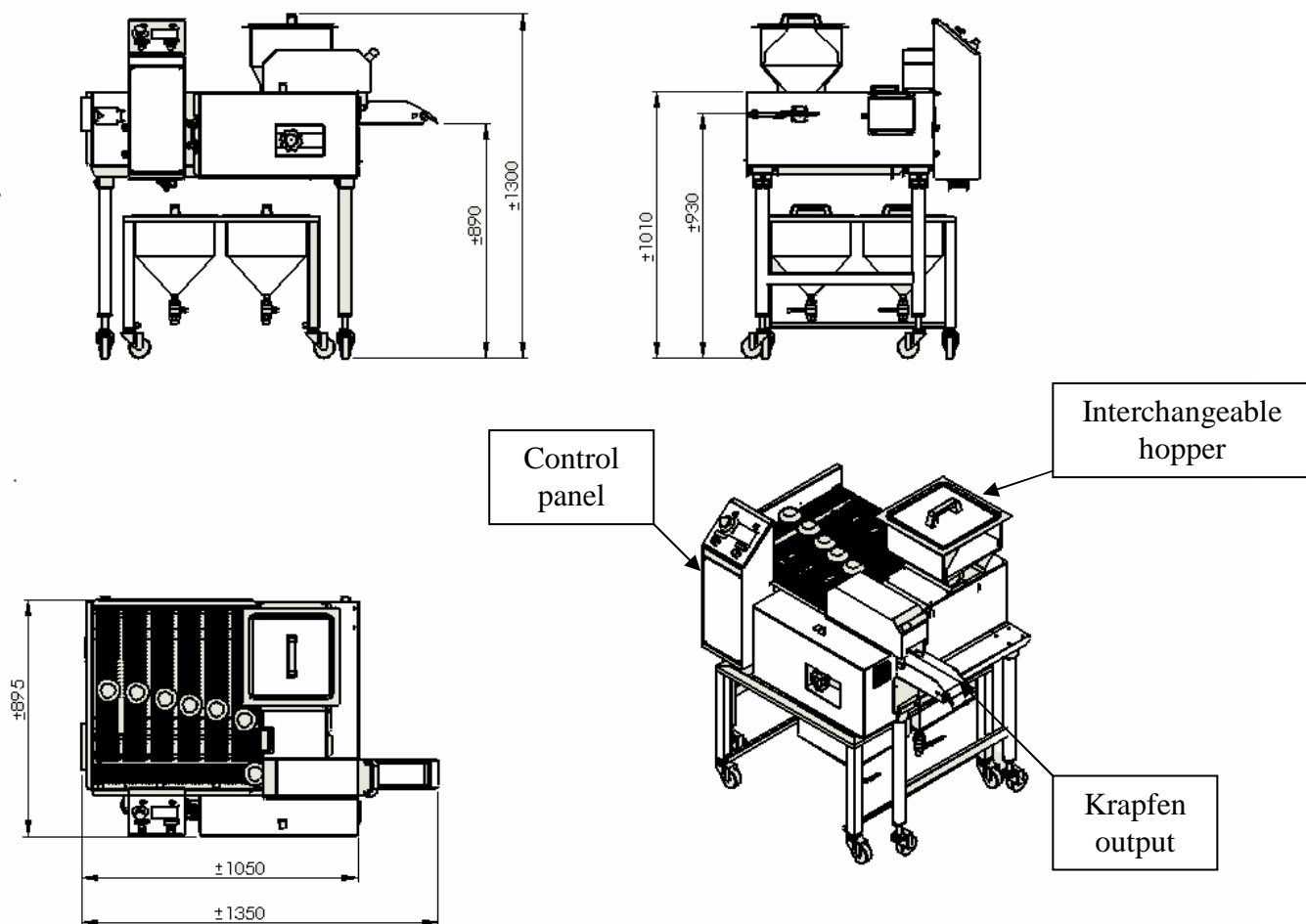
FEATURES:

- Filling for krapfen to be placed at the exit to fryers with 600mm tape;
- Automatic synchronization between fryer and filling;
- Adjustment of the dose from 0 gr to 25 gr through a simple knob;
- Filling up to 1800 krapfen / hour;
- Hopper to containment Jam / cream easily removable / interchangeable, for quick transition from one type of filling to the other;
- Filling hole position adjustments on krapfen;
- Structure with brakes for ease of movement and secure attachment;
- Quick dismantling of electrical panel, filling area tapes, trays and filling needle for easy cleaning;
- Electric motors, transmission parts protected by casings;
- Predisposition for connection to krapfen conveyor tape;
- Possibility to have trolley for transport 4 hoppers, complete with tray for dirty collection.

TECHNICAL FEATURES:

- Overall dimensions cm 87x121x120;
- Height of loading and unloading krapfen cm 79 adjustable;
- Single hopper capacity 7 liters;
- Electric panel covered and easily removable;
- Nr. 3 trays for dirtys collection;
- Removable parts for cleaning;
- Structure and parts constructed integrally with materials suitable for contact with food;
- Maximum electric power engaged 250W;
- CE marking.

DIMENSIONS:



INDICATIVE PRODUCTION IN ONE HOUR

Krapfen.....n° 1800 about