



**Linee Automatiche
di Frittura e
Bollitura**
dal 1981

più di 30 anni d'esperienza



AUTOMATIC DOSER WITH ONE OR TWO HEADINGS



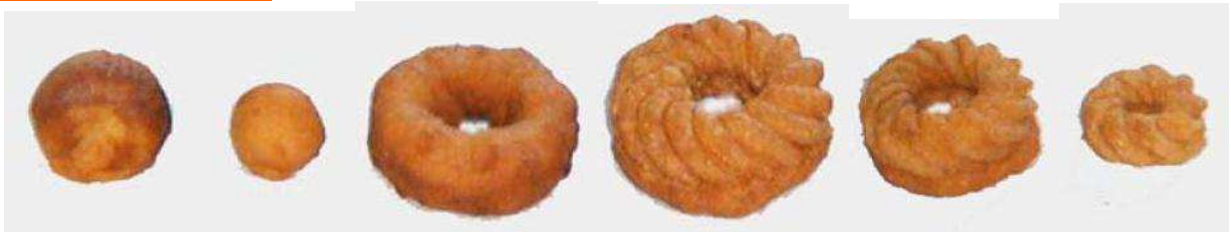
FEATURES:

- Pancake batcher and donuts of various forms that unload directly in fryer, an piece every rotation for donuts, two pieces for pancakes
- Varying dose from 10 to 80 gr.
- Dosing in continuous n° 69 to the minute
- Regulation of the speed of side move to determine the distance among a dosing and the other
- Rapid return without dosing
- Pause timer after the return
- Plug of start command (from fryer)
- Possibility to regulate the side move
- With wheels, two with brake
- Six stamps types of varies measure
- Detachable parts for a possible maintenance to distance
- Easy cleaning

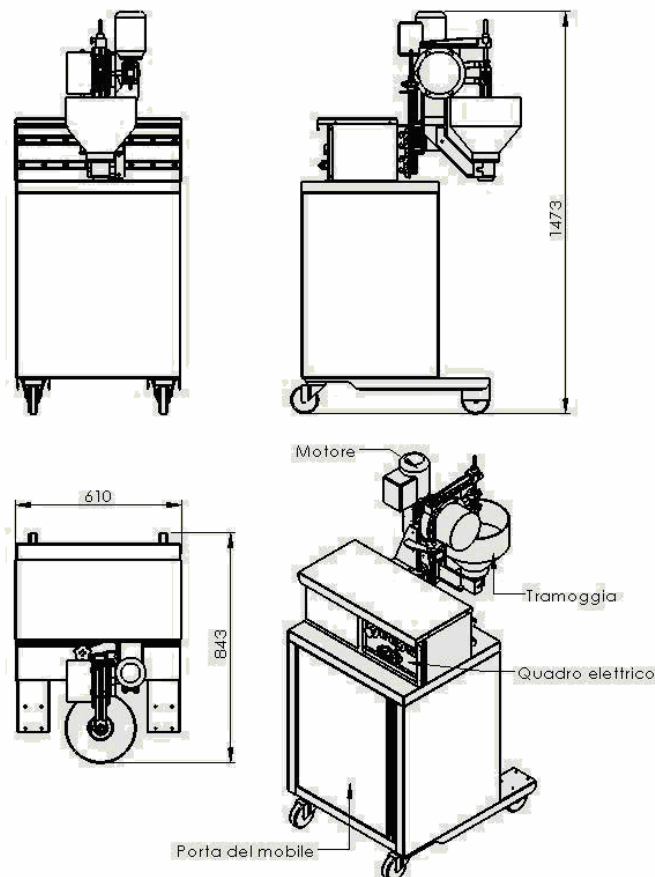
TECHNICAL FEATURES:

- Encumbrance measures cm 61x84x147;
- Single hopper capacity liters 7;
- Double hopper capacity liters 20;
- Electric panel cover;
- Mobile with closing gate and wander to put back objects;
- Detachable parts for the cleaning;
- Structure and parts build integrally with material adapt to the contact with feed;
- Max electric power used 250W;
- Marking CE.

TYPES OF STAMPS:



DIMENSIONS:



Possible hourly productions:

Donuts.....n° 2500 about with single heading
n° 5000 about with double heading